

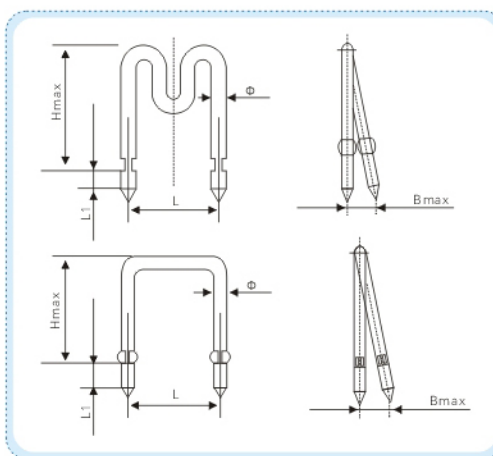


产品特点 Features

◎该电阻器由精密合金制成,用作电源等回路的限流均流或取样检测,具有高可靠、高过载能力又具备容易焊接和无感能力。◎L和H尺寸可根据使用要求协商订货。

◎This resistors of FLQ53 series or precision alloy board,applied as current limited、current balance or sampling.sense in power supplier,takes on the capability of high stability and high overload,and the function of easily welding and non inductance as well.

◎Please contactus for the requirement about dimensions of L and H.



外形尺寸 Dimensions

L	Hmax	Bmax	Φ	L1
5~50	20	1	见下表	3±0.5

技术说明 Technical Specifications

型号 Type	线径Φ(mm) Diameter	额定电流(A) Rate Current	阻值范围(mΩ) Resistance Range	阻值允许偏差(%) Tolerance	电阻温度系数 (10 ⁻⁶ /°C) Temperature Coefficient	温度范围(°C) Temperature Range
FLQ53-05	0.5	2.5	20~50	±5% (J) ±10% (K)	±50~±100	-55~±85
FLQ53-06	0.6	3.0	20~50			
FLQ53-07	0.7	4.0	20~50			
FLQ53-08	0.8	4.5	20~50			
FLQ53-09	0.9	5.0	10~50			
FLQ53-10	1.0	5.5	10~30			
FLQ53-11	1.1	6.0	5~20			
FLQ53-12	1.2	7.0	5~20			
FLQ53-13	1.3	7.5	5~20			
FLQ53-14	1.4	8.0	5~20			
FLQ53-15	1.5	9.0	5~20			
FLQ53-16	1.6	9.5	5~15			
FLQ53-18	1.8	11	3~10			
FLQ53-20	2.0	12	2~8			
FLQ53-23	2.3	14	2~8			
FLQ53-25	2.5	17	2~5			
FLQ53-29	2.9	21	2~5			



金盾电子

蚌埠市金盾电子有限公司

邮箱: jinhuaibb@163.com

网站: http://www.ahjindun.cn http://www.ahjindun.com.cn