

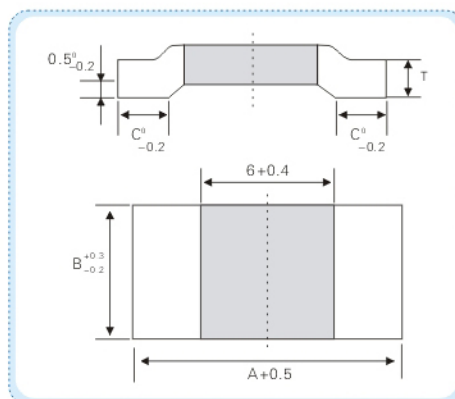


产品特点 Features

- ◎ 电子束焊结构, 符合欧盟RoSH标准. ◎ 最大100A电流 (0.3Ω). ◎ 电感值低于3nH
- ◎ 适用于大电流汽车及电流模块领域应用. ◎ 有二端及四端引线结构.
- ◎ E-Beam welded construction, RoSH compliant. ◎ Max 100A continuous operating compliant current (0.3mΩ).
- ◎ Low inductance less than 3nH. ◎ Ideal for high current application for automotive mark and power modules.
- ◎ 2-Terminal or 4-Terminal kelvin connections.



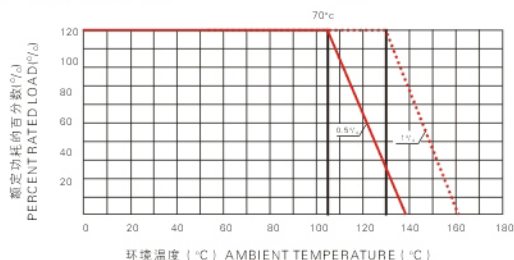
外形尺寸 Dimensions



型号 Type	A(mm)	B(mm)	C(mm)	重量 Weight
BFL	15	6.40	4.5	0.2g

★厚度紧供参考

降功耗曲线 Power Derating Curve



技术说明 Technical Specifications

型号 Type	负载能力 Power(W)	标准电阻值 Standard Value (MΩ)	精度范围 Tolerance Range	厚度* T (mm)	温度系数 TCR (PPM/°C)	电阻材料 Material	使用温度范围 Temperature Range	内部热电阻 Internal Thermal Resistance
BFL	0.5~5	0.3mΩ	±1 ±2 ±5 ±10	1.42	≅ ±50	Manganin	-55°C...+170°C	<10K/W
		0.5mΩ		0.86				
		1mΩ		0.42				
		1mΩ		1.30		Aluchrom		
		2mΩ		0.64				
		3mΩ		0.43				
		4mΩ		0.32				

性能指标 Performance

试验项目 Test Item	性能要求 Specifications	试验方法 Test Method
热冲击 Thermal Shock	< ± (0.1% + 0.5Ω)	-55°C/175°C, 30min, 5cycles
过载 Short time Over Load	< ± (0.2% + 0.5Ω)	5P _n , 5s
耐焊接热 Leaching	< ± (0.2% + 0.5Ω)	350 ± 10°C, 3.5 ± 0.5s
稳态湿热 Damp heat, Steady state	< ± (0.2% + 0.5Ω)	40°C, RH93 ± 3% / °, 5sd
高频振动 Vibration	< ± (0.2% + 0.5Ω)	10~2000Hz, 15g, 36cycles
耐久性 Load life	< ± (0.2% + 0.5Ω)	70 ± 2°C, P _n , 2000h
高温存放 High temperature Exposure	< ± (0.2% + 0.5Ω)	175°C, 250h